

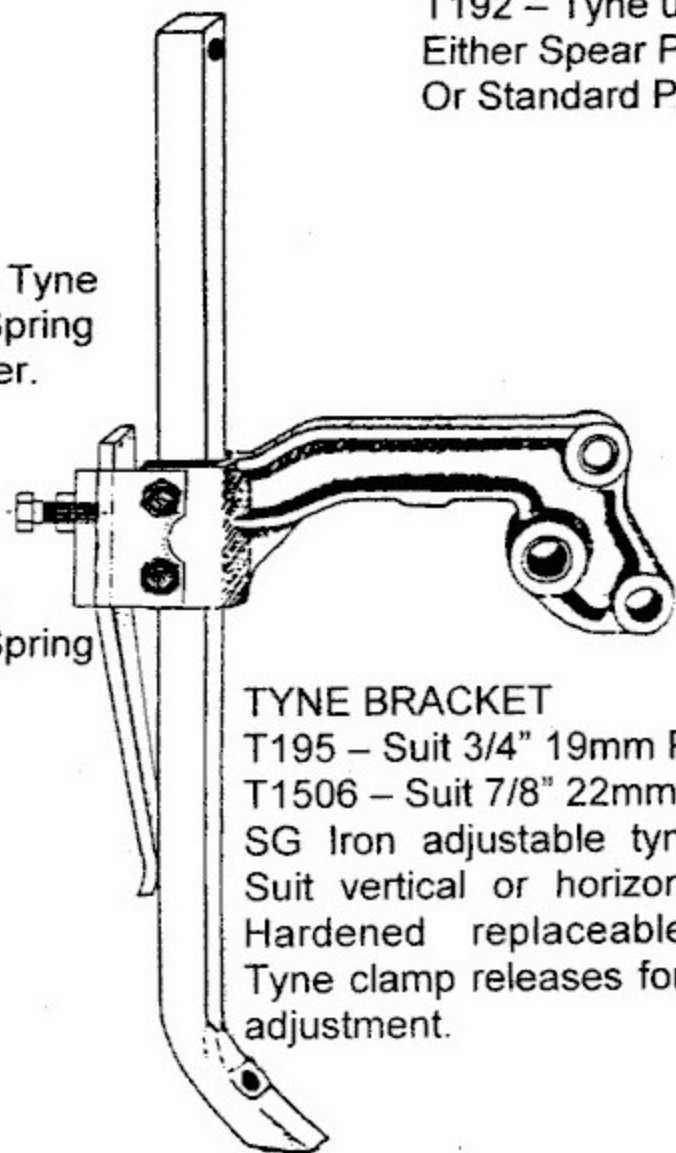
HELPER SPRING ASSEMBLY

TYNE

T192 – Tyne used for
Either Spear Point
Or Standard Point Option.

T4053 – Tyne
Helper Spring
Tensioner.

T4054 –
Helper Spring



TYNE BRACKET

T195 – Suit 3/4" 19mm Pivot Pin

T1506 – Suit 7/8" 22mm Pivot Pin

SG Iron adjustable tyne bracket.

Suit vertical or horizontal spring.

Hardened replaceable bushes.

Tyne clamp releases for easy tyne
adjustment.