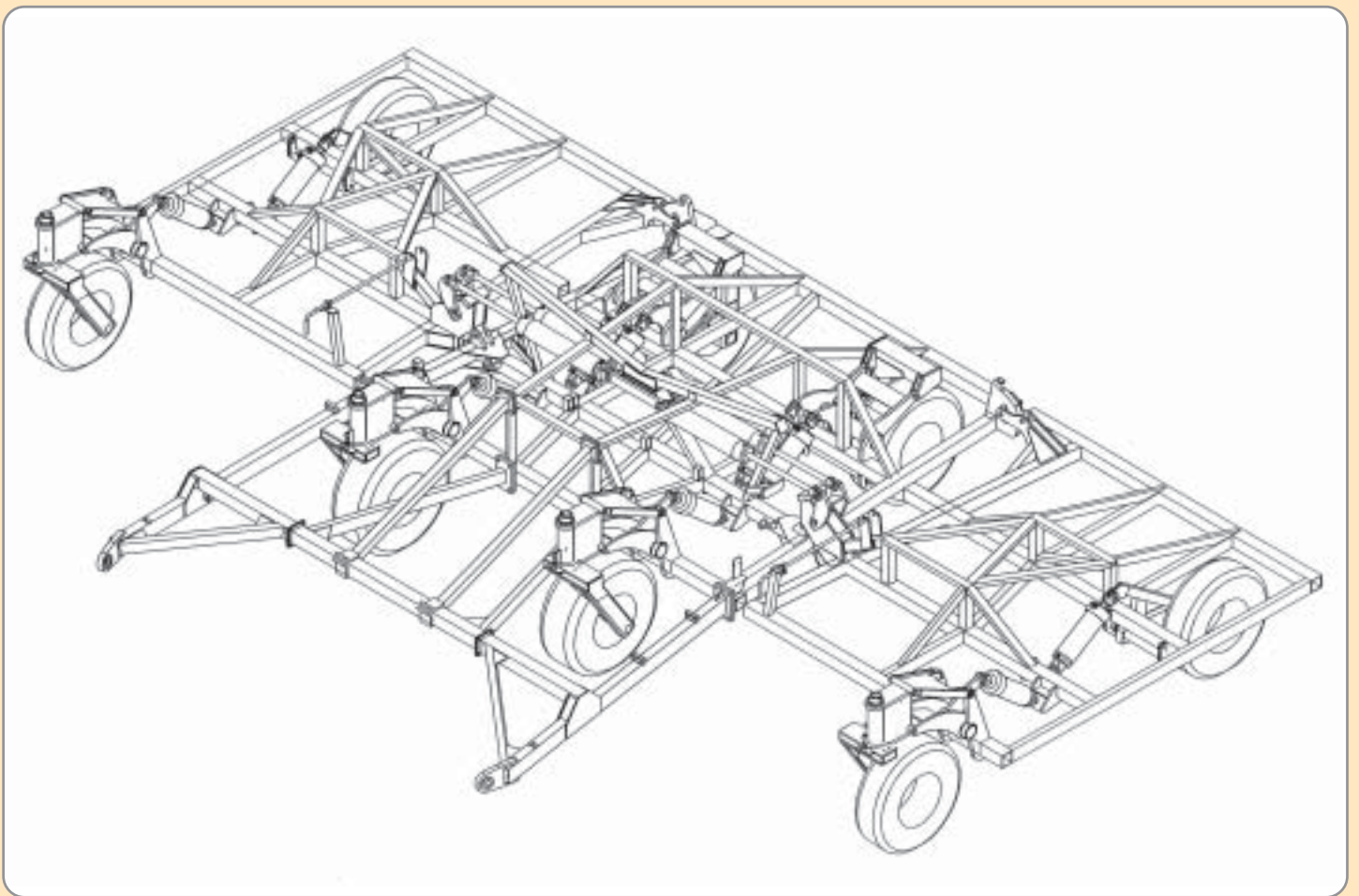


THE T30 SERIES

Ag-Boss

THE RIGHT TOOL FOR THE JOB

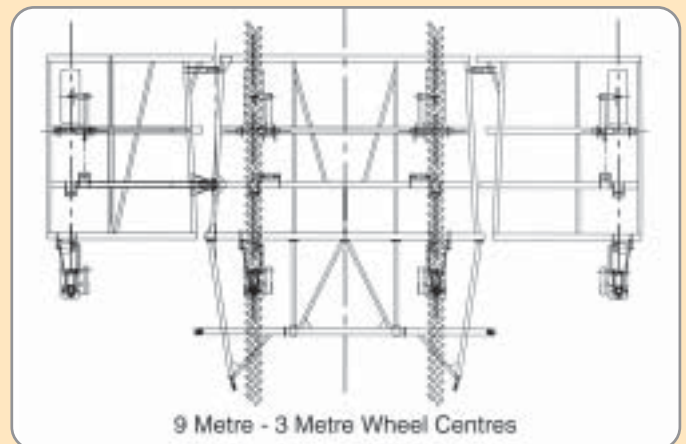
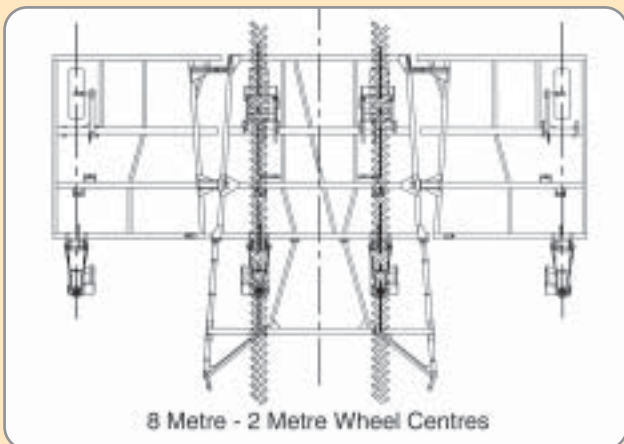


Versatile Scarifier - Direct Drill

**MACHINE SIZES &
SPECIFICATIONS**

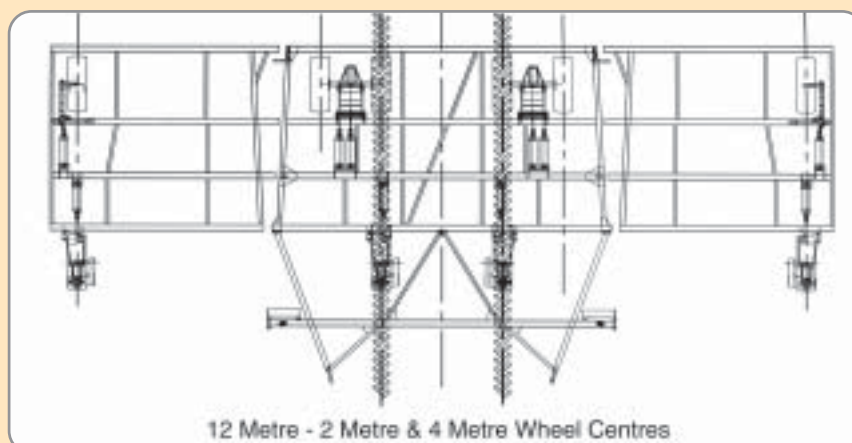


Nominal Machine Size	Tyre spacing (mm)	No. of tynes	Sowing width inc. guess row (m)	Tyre size main frame front & rear	Tyre size inner wing	Tyre size outer wing	Transport width (mm) (across wheels)	Transport height (mm)
8 METRE 3 section folding	200	41	8.200				5500	3970
	250	33	8.250	2-9.00x16 @ 2000 c/c			5500	3970
	333	24	8.000	2-9.00x16 @ 2000 c/c	2-9.00x16 @ 8000 c/c		5500	3970
	400	20	8.000				5500	3970
9 METRE 3 section folding	200	45	9.000				6580	3930
	250	37	9.250	2-9.00x16 @ 3000 c/c			6580	3930
	333	27	9.000	2-9.00x16 @ 3000 c/c	2-9.00x16 @ 9000 c/c		6580	3930
	400	24	9.600				6580	3930
10 METRE 3 section folding	200	51	10.200				6580	4500
	250	41	10.250	2-12.0x16 @ 3000 c/c			6580	4500
	333	31	10.333	2-12.0x16 @ 3000 c/c	2-9.00x16 @ 10000 c/c		6580	4500
	400	26	10.400				6580	4500
11 METRE 3 section folding	200	55	11.000				6580	5000
	250	45	11.250	2-12.0x16 @ 3000 c/c			6580	5000
	333	33	11.000	2-12.0x16 @ 3000 c/c	2-9.00x16 @ 11000 c/c		6580	5000
	400	28	11.200				6580	5000
12 METRE 3 section folding	200	61	12.200				6580	5440
	250	49	12.250	2-14.5/60x18 @ 3000 c/c			6580	5440
	333	36	12.000	2-12.0x16 @ 3000 c/c	2-9.00x16 @ 12000 c/c		6580	5440
	400	30	12.000				6580	5440
12 METRE 3 section folding	200	61	12.200				7580	5000
	250	49	12.250	2-12.0x16 @ 2000 c/c			7580	5000
	333	36	12.000	4-9.00x16 @ 2000 c/c & 4000c/c	2-9.00x16 @ 12000 c/c		7580	5000
	400	30	12.000				7580	5000



Nominal Machine Size	Tyre spacing (mm)	No. of tynes	Sowing width inc. guess row (m)	Tyre size main frame front & rear	Tyre size inner wing	Tyre size outer wing	Transport width (mm) (across wheels)	Transport height
14 METRE 5 section folding	200	71	14.200				7580	5410
	250	57	14.250	2-14.0x18 @ 2000 c/c			7580	5410
	333	42	14.000	4-12.0x16 @ 2000 & 4000 c/c	2-12.0x16 @10000 c/c	2-9.00x16 @14000 c/c	7580	5410
	400	36	14.400				7580	5410
16 METRE 5 section folding	200	81	16.200				8330	5670
	250	65	16.250	2-14.0x18 @ 2000 c/c			8330	5670
	333	48	16.000	4-12.0x16 @ 2000 & 4000 c/c	2-12.0x16 @10000 c/c	2-9.00x16 @16000 c/c	8330	5670
	400	40	16.000				8330	5670
18 METRE 5 section folding	200	91	18.200				9580	5330
	250	73	18.250	2-14.0x18 @ 4000 c/c			9580	5330
	333	54	18.000	4-12.0x16 @ 4000 & 6000 c/c	2-12.0x16 @12000 c/c	2-9.00x16 @18000 c/c	9580	5330
	400	46	18.400				9580	5330
20 METRE 5 section non fold	200	101	20.200				N/A	N/A
	250	81	20.250	2-12.0x16 @ 4000 c/c	2-12.0x16 @12000 c/c	2-9.00x16 @20000 c/c	N/A	N/A
	333	60	20.000	4-12.0x16 @ 4000 c/c			N/A	N/A
	400	50	20.000				N/A	N/A
24 METRE 5 section non fold	200	121	24.200				N/A	N/A
	250	97	24.250	2-12.0x16 @ 4000 c/c	2-12.0x16 @14000 c/c	2-9.00x16 @24000 c/c	N/A	N/A
	333	72	24.000	4-12.0x16 @ 4000 c/c			N/A	N/A
	400	60	24.000				N/A	N/A

Gyral Implements Pty Ltd reserves the right to change any of these specifications without prior notice.



CURVED TYNE

43° curved edge-on 50mm x 20mm factory forged shank with 2 x 7/16" bolt holes @ 1 3/4" to 2 1/4 centres.

	<i>With 300mm Sweep</i>	<i>With Spearpoint</i>
Tyne breakout w/spring	1.3 kN (300 lbf)	1.2 kN (270 lbf)
	1.8 kN (400 lbf)	1.6 kN (360 lbf)
Tyne breakout w/hydraulic	1.8 kN (400 lbf)	1.6 kN (360 lbf)
Under frame clearance	675mm	750mm
Jump height	275mm	280mm
Maximum working depth*	125mm	200mm
Transport clearance	310mm	235mm

STRAIGHT TYNE

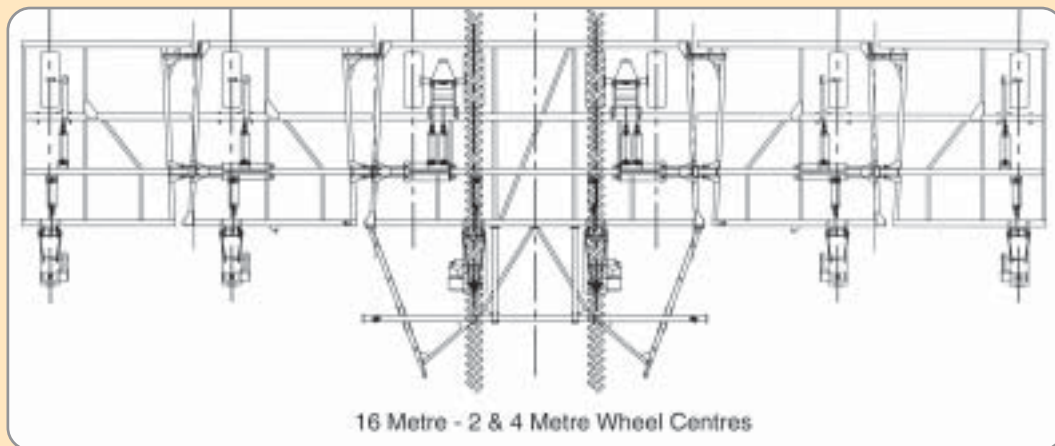
Option 1: 43° edge-on 50mm x 20mm multi-function factory forged adjustable shank with 2 x 7/16" bolt holes @ 1 3/4" to 2 1/4 centres.

Option 2: 43° edge-on 50mm x 20mm direct drill adjustable shank.

Note: Tyne may be adjusted up 85mm and down 15mm

	<i>With 300mm Sweep</i>	<i>With Spearpoint</i>
Tyne breakout w/spring	1.3 kN (300 lbf)	1.2 kN (270 lbf)
	1.8 kN (400 lbf)	1.6 kN (360 lbf)
Tyne breakout w/hydraulic	1.8 kN (400 lbf)	1.6 kN (360 lbf)
Under frame clearance	590/690mm	665/765mm
Jump height	250/280mm	255/285mm
Maximum working depth*	140mm	215mm
Transport clearance	295/395mm	220/320mm

Tool Bar RHS 100mm x 100mm x 6mm



*Varies under different working conditions.

Gyral Implements Pty Ltd reserves the right to change any of these specifications without prior notice.

Your local Gyral dealer

Gyral

GYRAL IMPLEMENTS PTY LTD ABN 70 009 682 884
 285 M^cDougall Street (PO Box 6046) Toowoomba Qld 4350
 Phone: **07 4634 3388** • Fax: **07 4633 1634**
 Email: info@gyral.com.au • Website: www.gyral.com.au

- Leading Edge Airseeding Equipment • Primary Tillage Equipment • Secondary Tillage Equipment
- Raised Bed Equipment • Direct Drill/Controlled Traffic Equipment