

Visit us on the internet at www.gyral.com.au

GYRAL'S DEALER NETWORK

Your Local Gyral Dealer

QUEENSLAND:

Agcare - Oakey
Ainsworth Motors & Machinery - Chinchilla
Centracks Machinery - Rockhampton
Chesterfield Machinery - Dalby
Chesterfield Machinery - Goondiwindi
David Evans Group - Biloela
David Evans Group - Boonah
David Evans Group - Gatton
David Evans Group - Millmerran
David Evans Group - Toowoomba
David Evans Group - Warwick
Lindenburg & Co - Pittsworth
McIntosh & Son - Emerald
Mounts Machinery - Roma
Rod Frahm Machinery - Clifton
South Burnett Machinery - Murgon
Vanderfield - St George
Vanderfield - Toowoomba
Wooroolin Machinery

NEW SOUTH WALES:

Carruthers Machinery - Young
Carruthers Machinery - Cowra
Central Autos Pty Ltd - Merriwa
Duncan & Duncan - Walgett
Equipment & Service Co. - Condobolin
Intersales - Temora
Intersales - Leeton
JA McGregor & Co. - Warialda
Kenway & Clark - Inverell
Kenway & Clark - Moree
McPhersons Part & Service - Parkes
Michell Machinery - Dubbo
Millers Machinery - Gilgandra
Murdoch & Gaffey - Coleambally
Murdoch & Gaffey - Griffith
Peel Valley Machinery - Gunnedah
Peel Valley Machinery - Narrabri
Peel Valley Machinery - Quirindi
Peel Valley Machinery - Tamworth

Peel Valley Machinery - Wee Waa
Three Rivers Machinery - Warren
CJ & LH Wiesner - Walla Walla

VICTORIA:

Ballarat Tractors & Construction Equipment - Ballarat
Corbram Farm Equipment - Corbram
Dunlop & Isbel - St Arnaud
AJW Fraser - Hamilton
GBC Motors - Mildura
Geo. Harvey's Motors - Echuca
Hicks Machinery - Horsham
Konig - Shepparton
Murray Mallee Machinery - Swan Hill
JB Scott - Geelong

SOUTH AUSTRALIA:

Errol Matschoss Motors - Waikerie
Bascombe AutoAg - Cummins
Booeroo Agencies Pty Ltd - Booeroo
Booeroo Agencies - Wudinna
Booeroo Agencies - Penong

NORTHERN TERRITORY:

Vanderfield - Darwin

TASMANIA:

Tasmania Farm Equipment - Devonport
Tasmania Farm Equipment - Burnie
Tasmania Farm Equipment - Smithton
Tasmania Farm Equipment - Launceston
Tasmania Farm Equipment - Scottsdale
Tasmania Farm Equipment - Hobart



Your local Gyral dealer

DMS/GYR-4105C

- Australian Owned
- Australian Made
- Designed for Australian Conditions

GYRAL FOR CONTROLLED TRAFFIC, CONVENTIONAL CULTIVATION, MINIMUM TILL AND DIRECT DRILL

PRESS WHEELS



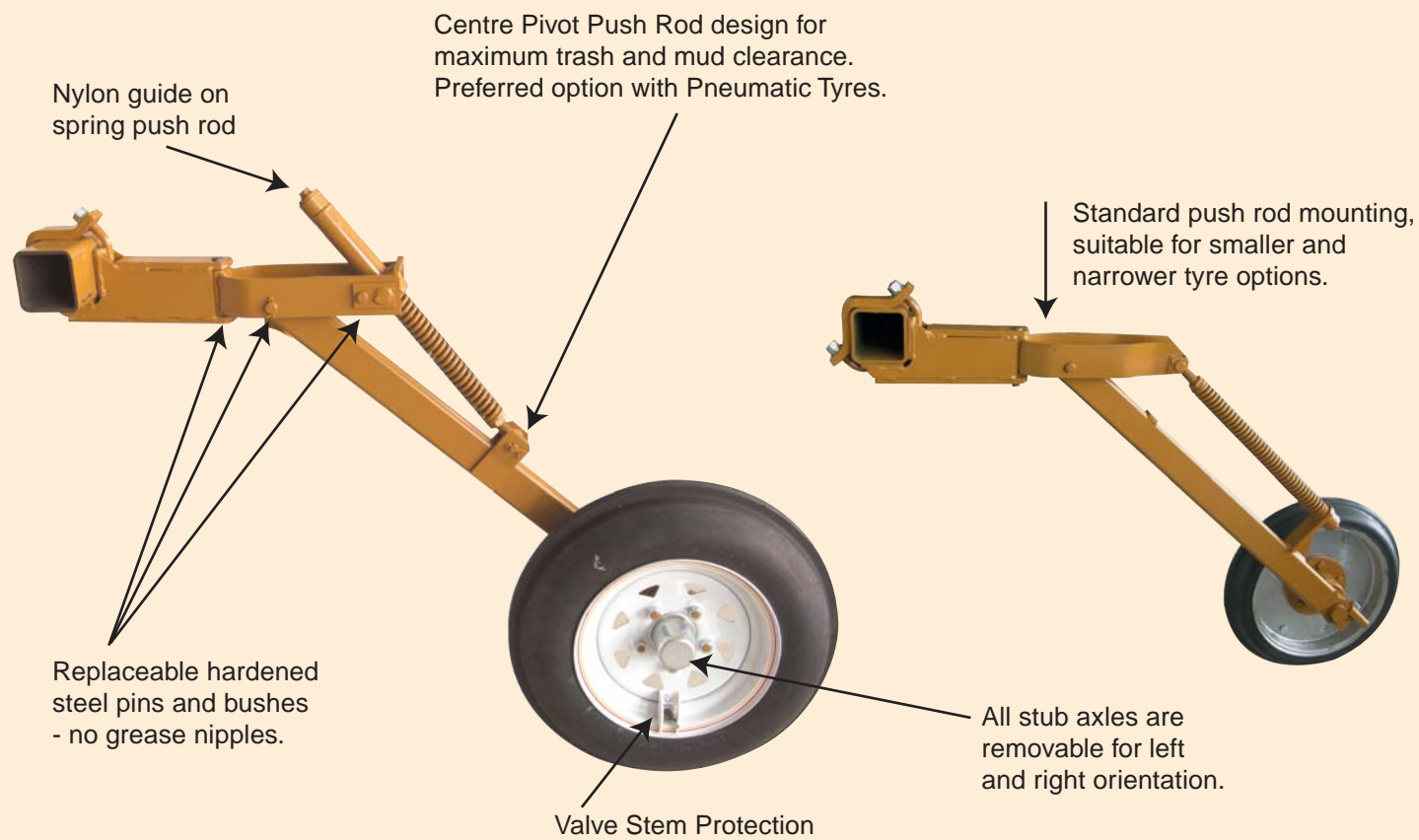
- Suits Various Brands of Tool Bars
- Independently Frame Mounted
- Replaceable Hardened Pins and Bushes
- Valve Stem Protection
- Removable Stub Axles and Heavy Duty Hubs
- Range of Press Wheel Tyres



GYRAL IMPLEMENTS PTY LTD

285 M^cDougall Street (PO Box 6046) Toowoomba Qld 4350

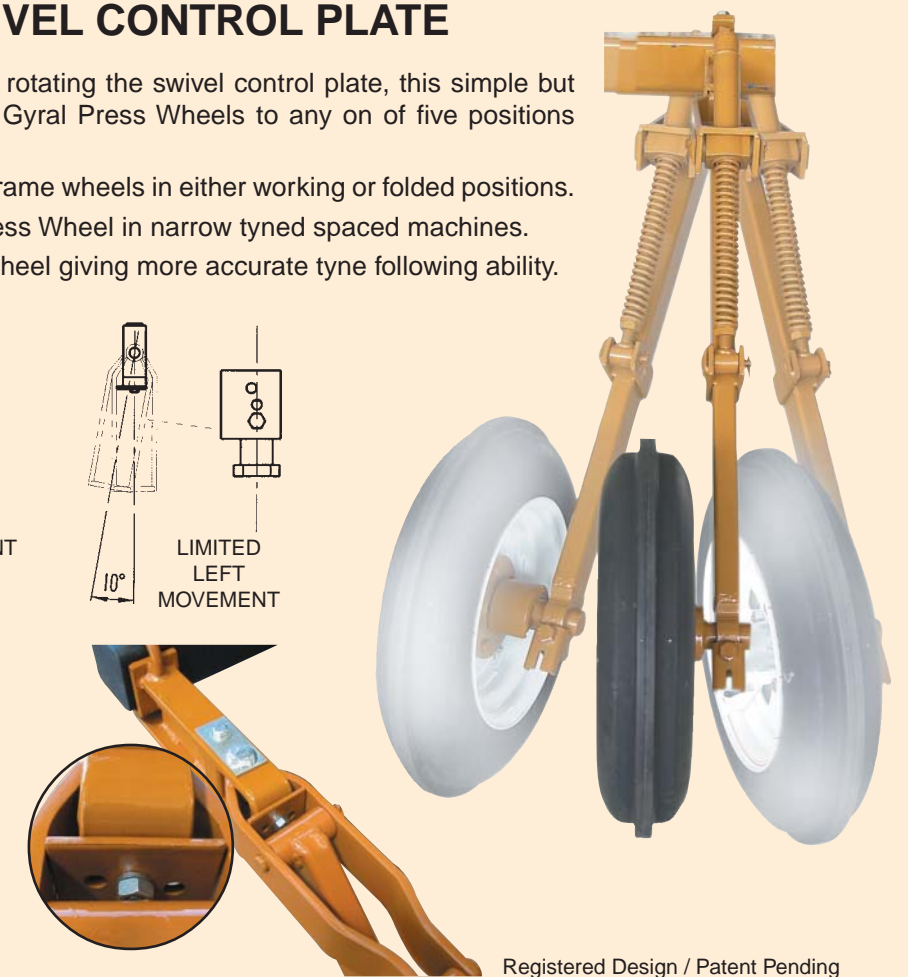
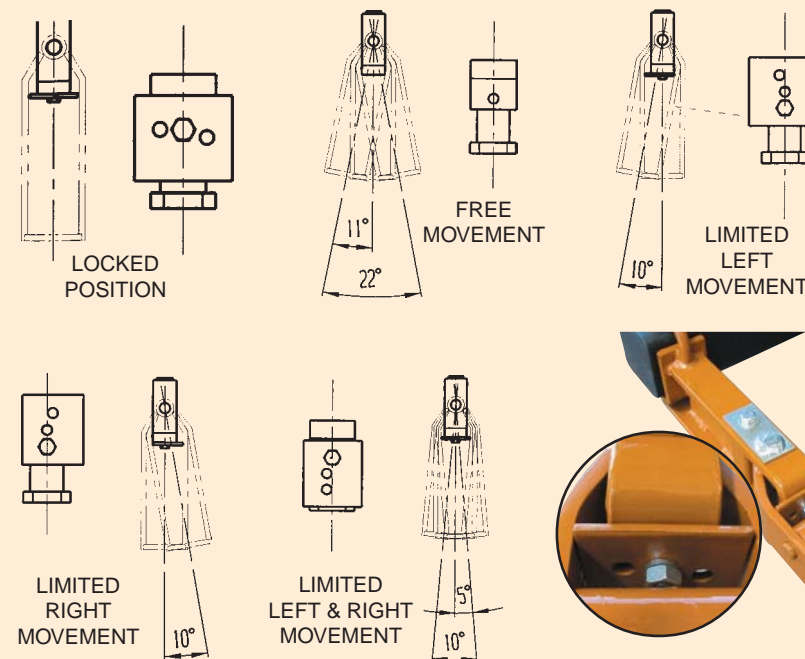
Phone: 07 4634 3388 Fax: 07 4633 1634 Website: www.gyral.com.au Email: info@gyral.com.au



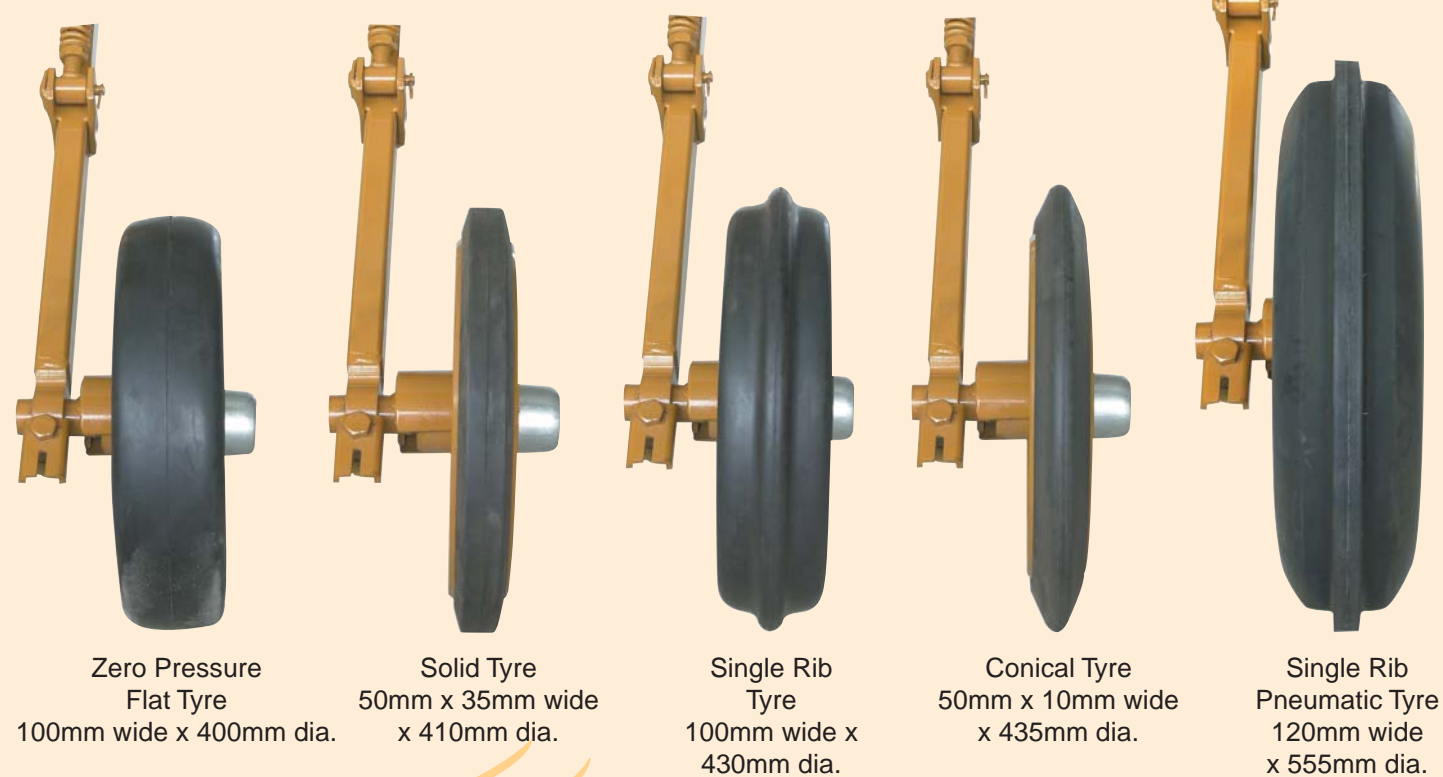
GYRAL'S NEW SWIVEL CONTROL PLATE

By selecting the correct hole position and rotating the swivel control plate, this simple but effective design can customise individual Gyral Press Wheels to any one of five positions shown.

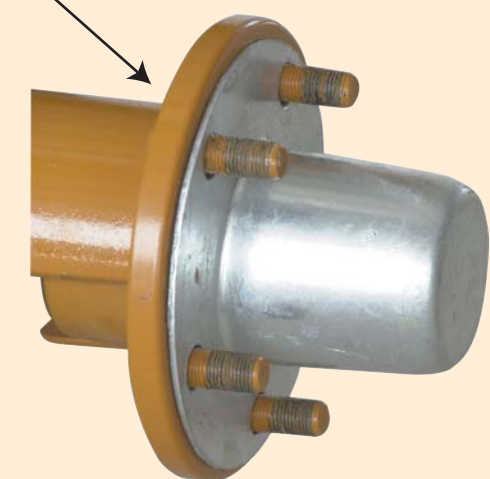
- Prevents Press Wheel fouling the mainframe wheels in either working or folded positions.
- Stops Press Wheel fouling adjacent Press Wheel in narrow tyred spaced machines.
- Provides greater control of the Press Wheel giving more accurate tyre following ability.



RANGE OF PRESS WHEEL PROFILES



Standard 5 stud press wheel hub, showing anti-vine wrap shield and overcap which protects the dust cover from being accidentally removed.
(Hubs - Holden Bearings, Ford Studs and Ford Pattern.)



Press Wheel Hanger Brackets and a rear row support frame is available to 'hook-up' wheels when they are not required, or for wide row planting.

Gyral

AUSTRALIAN OWNED AUSTRALIAN MADE DESIGNED FOR AUSTRALIAN CONDITIONS